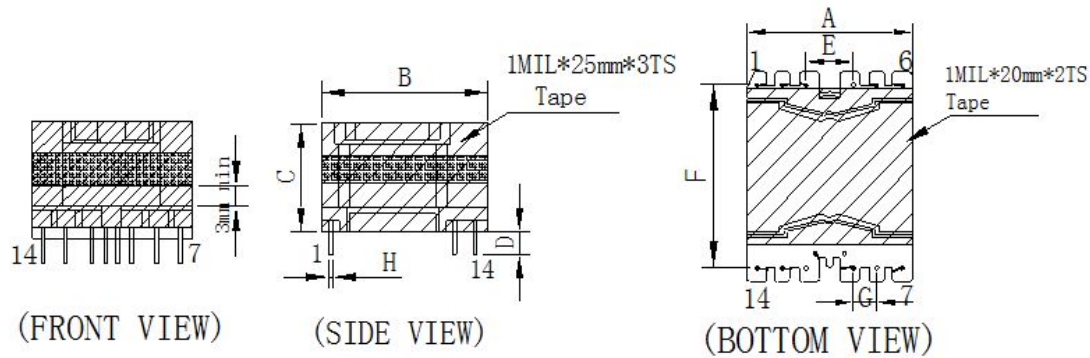


CUSTOMER TERMINAL	ROHS	Lead(Pb)-free
	YES	YES

1. Mechanical Dimensions



A	28.5	MAX
B	35.0	MAX
C	26.5	MAX
D	3.5	±0.5
E	7.6	±0.2
F	29.5	±0.4
G	3.8	±0.2
H	0.60	±0.1

3. Material List

Core:FW44 PQ2625

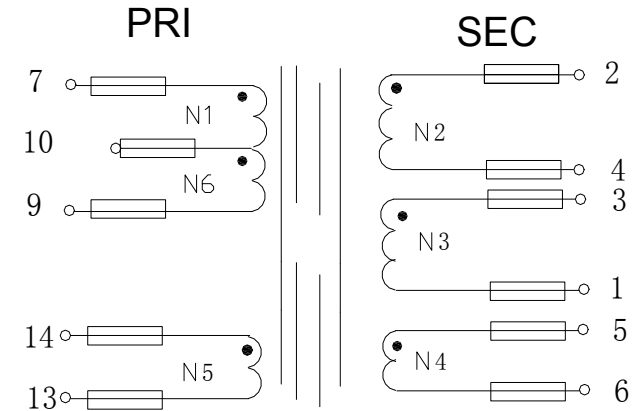
Bobbin:FWB2602(6+6PIN)

Wire:2UEW TIW LITZ

Copper foil: 0.025t*8.0mm

Operating Temperature: -30 to115 °C

2. Schematic Diagram



4. Electrical Specification

Inductance: L(7-9):570uH±5% 70KHZ 、 1V

Leakage Inductance : 10uH MAX 70KHZ 、 1V

DCR:(7-9)=262.5mΩMAX (2-4)=27.6mΩMAX

Hi-Pot:P-S: AC 60Hz 4000V 2.0mA 3S

S-CORE: AC 60Hz 4000V 2.0mA 3S

REV.	DATE	 Convention Placement	DRW.	Drawing Title:	Part No:		
0	00/00		CHK.			TRANSFORMER	FWPTPQ2625V571J
			APP.			Customer P/N	Specification Sheet 1of 1
ROHS		www.ferriwo.com					